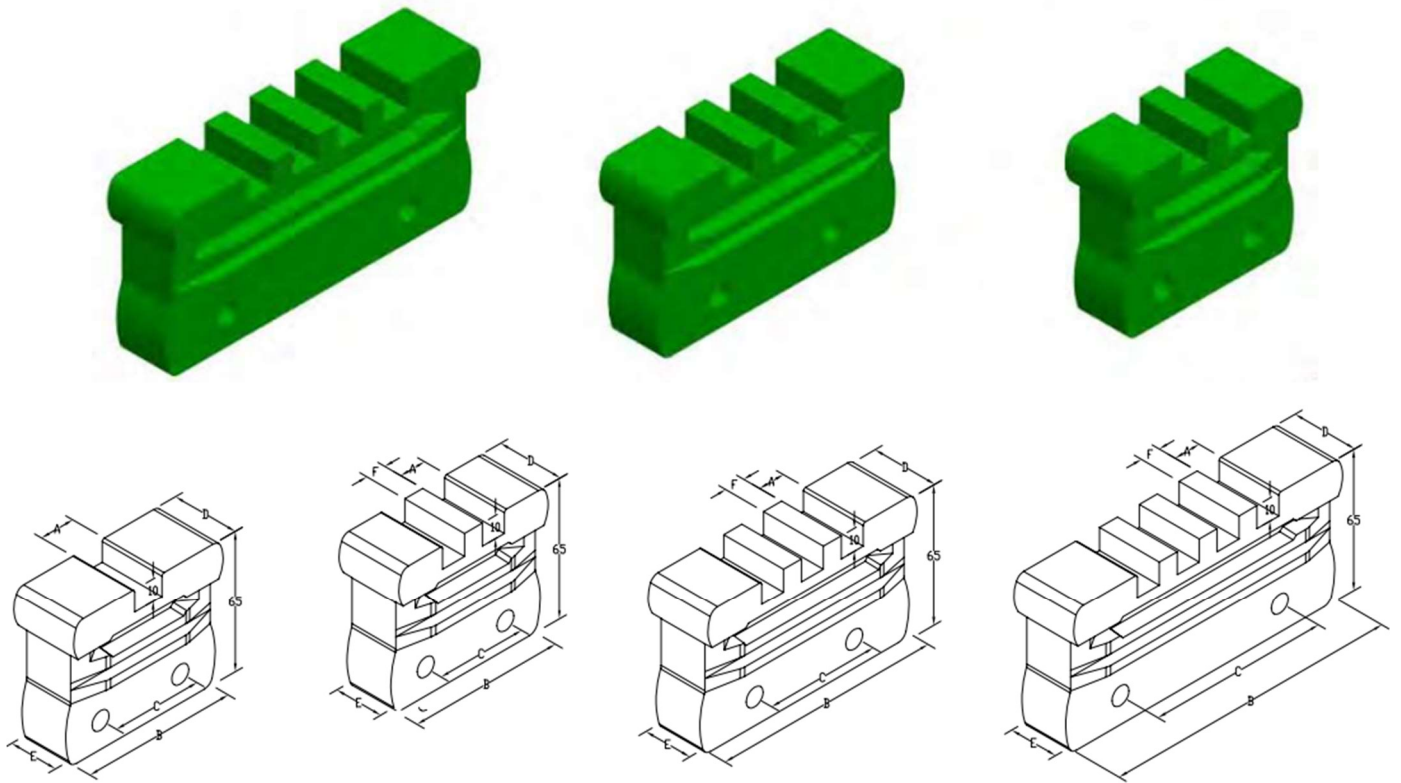


New Generation Finger Type Busbar Supports

(Suitable for Solar Panel Application-800 Volt System Voltage)

New Generation Finger-Type Busbar Supports offer a versatile solution for applications requiring high short-circuit withstand capacity. These supports are designed to accommodate single to multiple runs of 6.0 mm, 10 mm, and 12 mm busbars. Engineered specifically for solar panel systems, they are constructed to reliably operate at system voltages up to 800 volts.



Our Busbar Supports are moulded from a flame retardant and track resistance glass reinforced Thermoset Polyester compound recognized to use for current carrying devices under UL Material Recognition No. E249670.

- **Suitable for Solar Panel Application**
- Glow Wire Test - 960 °C
- Self-Extinguishing, UL 94 Vo Rated
- Non-Hygroscopic Material
- Halogen Free
- Operating Temperature range from (-) 40°C to 130°C

New Generation Finger Type Support									
Busbar	Powermat Code	Dimensions						Std Pkg	Box Wt. (Kg)
		A	F	B	C	D	E		
6mm x 1 run	NG 106	7	-	70	40	30	22	40	8.500
10mm x 1 run	NG 110	11	-	70	40	30	22	40	8.500
12mm x 1 run	NG 112	13.7	-	70	40	30	22	40	8.500
6mm x 2 runs	NG 206	7.1	5.6	70	40	30	22	40	8.500
10mm x 2 runs	NG 210	11	9.6	70	40	30	22	40	8.500
12mm x 2 runs	NG 212	13.7	11	70	40	30	22	40	8.500
6mm x 3 runs	NG 306	7	5.4	70	40	30	22	40	8.500
10mm x 3 runs	NG 310	11	9.4	100	50	30	22	20	4.500
12mm x 3 runs	NG 312	13.2	10.5	100	50	30	22	20	4.500



6mm x 4 runs	NG 406	7.2	5.6	100	50	30	22	20	4.500
10mm x 4 runs	NG 410	11.2	9.6	130	80	30	22	20	5.500
12mm x 4 runs	NG 412	13.4	11.6	130	80	30	22	20	5.500
6mm x 5 runs	NG 506	7.4	5.4	100	50	30	22	20	4.500

- All Dimensions are in mm only.
- Tolerance is applicable as per DIN Standard 2768.

-----**Global Commitment**

www.powermatindia.com



Mail us : powermat@powermatindia.com