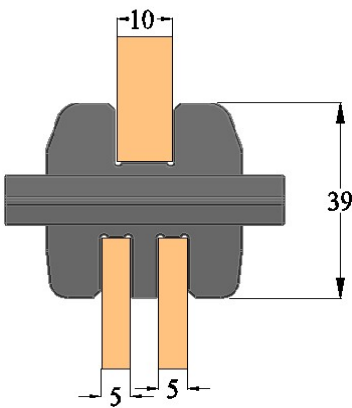
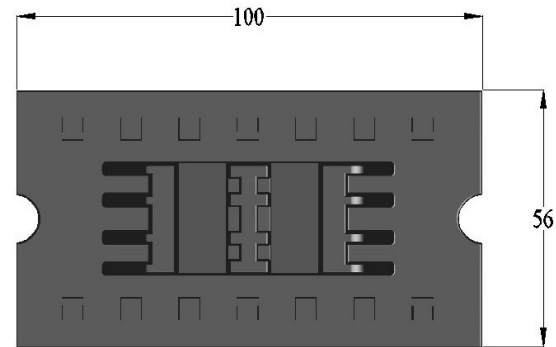
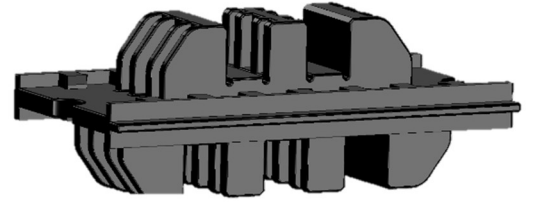
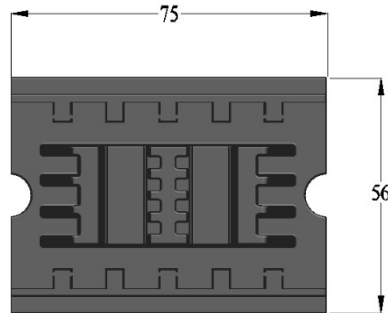
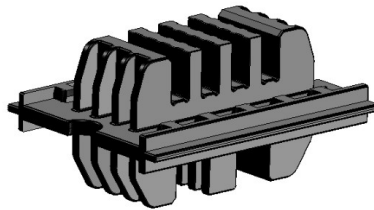
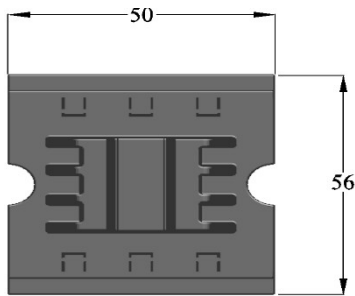
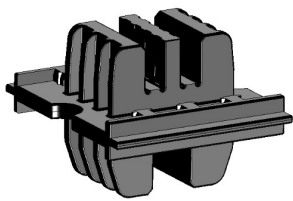


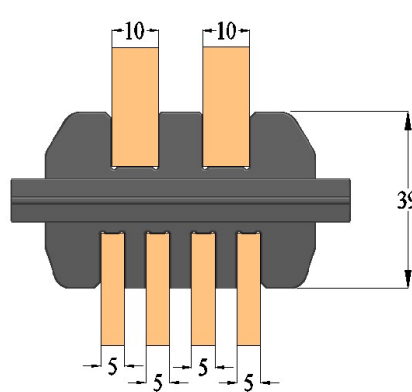
## Modular Support (56PAGP series)

Suitable for low voltage power distribution applications where fire safety, high mechanical strength, and installation efficiency are critical.

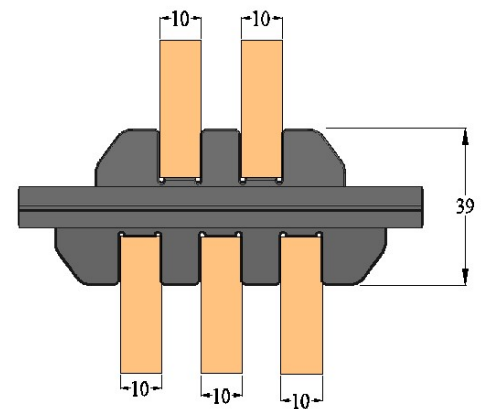
- Glow Wire Test - 960 °C
- Self-Extinguishing, UL 94 V0 Rated
- Non-Hygroscopic Material
- Halogen Free
- Operating Temperature range from (-) 40°C to 130°C.



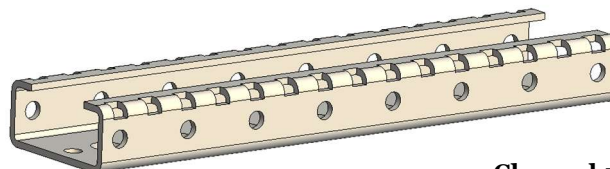
56 pagp-110\_205



56 pagp-210\_405



56 pagp-210\_310



Channel 56pagp

- Material: polyamide PA66, FRV0.
- Dimensions are in mm only.
- Tolerance is applicable as per DIN Standard 2768.
- Channel is not in our scope.

-----Global Commitment

