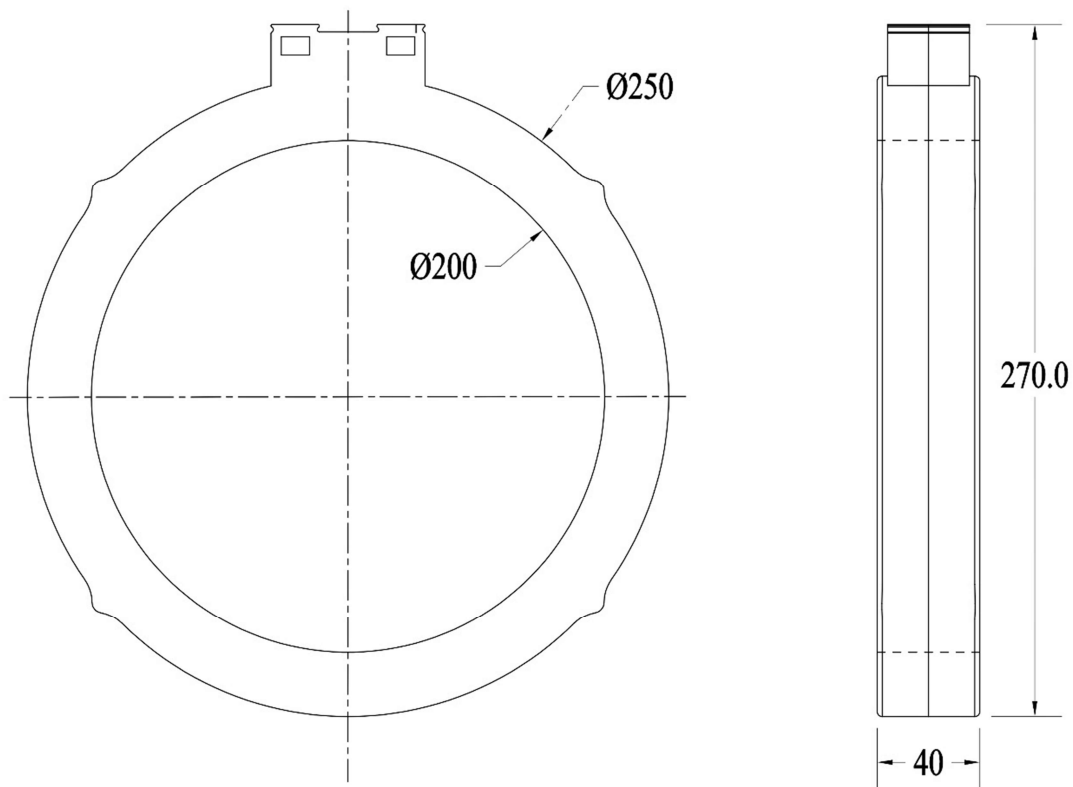


Metering CTs-Round Terminal Type Encapsulated CT 200/250 Series

POWERMAT provide a wide range of high accuracy Metering Current Transformers designed for precision and reliability. Our CTs come with a variety of window options to accommodate different cable and busbar sizes, ensuring seamless integration into diverse electrical systems. Built to meet international standards, our transformers offer superior insulation, minimal power loss, and long-lasting durability, making them ideal for commercial, industrial, and utility applications.



Series Name Nomenclature (MTT-XXXX - YYZ – 200/250)

Where XXXX refers to Primary Ampere to Secondary Ampere (e.g 200 A primary , 5 A secondary becomes 205 . 200 Ampere Primary , 1A Secondary become 201 and so on.

Where YY used to designates Burden (VA) as per Table.

Where Z used to Designates Accuracy Class as per Table.

POWERMAT MTT 200/250 SERIES			
Primary Current	Accuracy		
	0.2	0.5	1.0
4000A	5VA	10VA	15VA
5000A	5VA	10VA	15VA
5200A	5VA	10VA	15VA

- All Dimensions are in mm only.
- Tolerance is applicable as per DIN Standard 2768

-----**Global Commitment**

www.powermatindia.com



Mail us : powermat@powermatindia.com